



R e m o t e a i r v a l v e s

Individual mounting



Manifold mounting



Function	Port size	Flow (Max)	Individual mounting
4/2 - 4/3	G1/8" - G1/4" - G3/8"	1350 NI/Min	sub-base

OPERATIONAL BENEFITS

- Balanced spool, immune to variations of pressure.
- Short stroke with high flow.
- The piston (booster) provides maximum shifting forces.
- Powerful return thanks to the combination of mechanical and air springs.
- Bonded spool with minimum friction, shifting in a glass-like finished bore.
- Wiping effect eliminates sticking.
- Low leakage rate.



HOW TO ORDER

Reset

Port size	4/2 Single operator	4/2 Double operator	4/3 Closed centre	4/3 Open centre	4/3 Pressure centre
Valve less base	82A-AB-000-RA	82A-BB-000-RA	82A-EB-000-RA	82A-FB-000-RA	82A-GB-000-RA
Sub-base G1/8"	82A-AB-DAA-RA	82A-BB-DAD-RA	82A-EB-DAD-RA	82A-FB-DAD-RA	82A-GB-DAD-RA
Sub-base G1/4"	82A-AB-EAA-RA	82A-BB-EAD-RA	82A-EB-EAD-RA	82A-FB-EAD-RA	82A-GB-EAD-RA
Sub-base G3/8"	82A-AB-FAA-RA	82A-BB-FAD-RA	82A-EB-FAD-RA	82A-FB-FAD-RA	82A-GB-FAD-RA

OPTIONS

82A-AB-000-RA

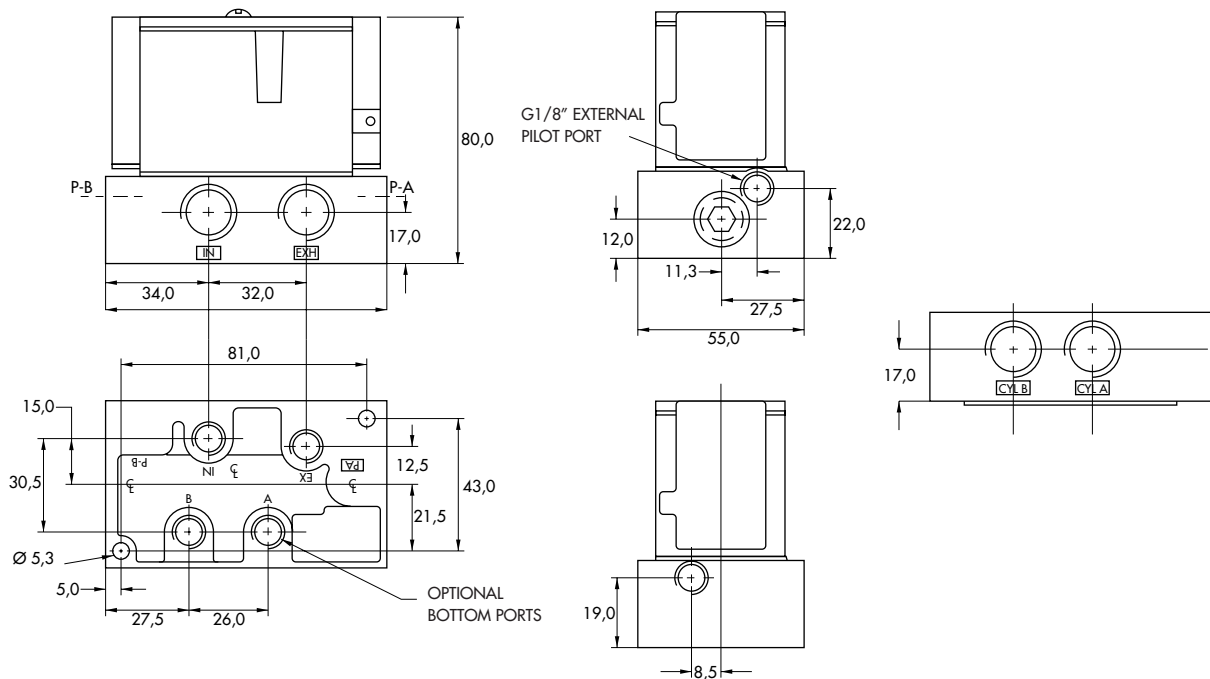
└ - click for dual pressure valves (replace A by C, B by D, E by M, F by L, G by H).

TECHNICAL
DATA

Fluid :	Compressed air, vacuum, inert gases
Pressure range :	Vacuum to 10 bar
Air signal pressure :	Single operator and 3 positions : 1.8 to 10 bar \geq main valve pressure Double operator : 0.7 to 10 bar
Lubrication :	Not required, if used select a medium aniline point lubricant (between 80°C and 100°C)
Filtration :	40 μ
Temperature range :	-18°C to +50°C
Orifice :	7 mm
Flow (at 6 bar, $\Delta P=1$bar) :	G 1/8" : 900 NI/min (C _v 0.9) - G 1/4" : 1300 NI/min (C _v 1.3) - G 3/8" : 1350 NI/min (C _v 1.35)
Leak rate :	100 cm ³ /min

- Spare parts : • Remote air operator : 30387.
- Options : • NPTF threads.

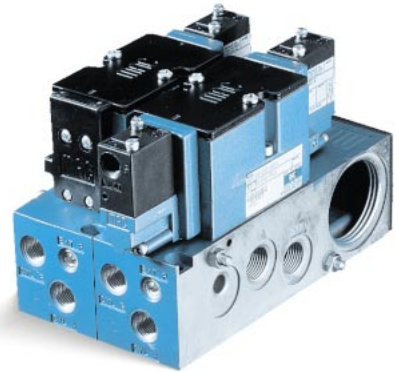
DIMENSIONS



Function	Port size	Flow (Max)	Manifold mounting
4/2 - 4/3	G1/4" - G3/8"	1350 NI/Min	sub-base

OPERATIONAL BENEFITS

1. Balanced spool, immune to variations of pressure.
2. Short stroke with high flow.
3. The piston (booster) provides maximum shifting forces.
4. Powerful return thanks to the combination of mechanical and air springs.
5. Bonded spool with minimum friction, shifting in a glass-like finished bore.
6. Wiping effect eliminates sticking.
7. Low leakage rate.



Reset

HOW TO ORDER

Port size	Pilot air	4/2 Single operator	4/2 Double operator	4/3 Closed centre	4/3 Open centre	4/3 Pressure centre
Valve less base	Internal only	82A-AB-000-TM-RA14	82A-BB-000-TM-RA14	82A-EB-000-TM-RA14	82A-FB-000-TM-RA14	82A-GB-000-TM-RA14
Sub-base	Internal	82A-AB-EKA-TM-RA14	82A-BB-EKA-TM-RA14	82A-EB-EKA-TM-RA14	82A-FB-EKA-TM-RA14	82A-GB-EKA-TM-RA14
G1/4"	External	82A-AB-EKD-TM-RA14	82A-BB-EKD-TM-RA14	82A-EB-EKD-TM-RA14	82A-FB-EKD-TM-RA14	82A-GB-EKD-TM-RA14
Sub-base	Internal	82A-AB-FKA-TM-RA14	82A-BB-FKA-TM-RA14	82A-EB-FKA-TM-RA14	82A-FB-FKA-TM-RA14	82A-GB-FKA-TM-RA14
G3/8"	External	82A-AB-FKD-TM-RA14	82A-BB-FKD-TM-RA14	82A-EB-FKD-TM-RA14	82A-FB-FKD-TM-RA14	82A-GB-FKD-TM-RA14

OPTIONS

82A-AB-000-TM-RA14

click for dual pressure valves (replace A by C, B by D, E by M, F by L, G by H).

TECHNICAL DATA

Fluid :	Compressed air, vacuum, inert gases
Pressure range :	Vacuum to 10 bar
Air signal pressure :	Single operator and 3 positions : 1.8 to 10 bar \geq main valve pressure Double operator : 0.7 to 10 bar
Lubrication :	Not required, if used select a medium aniline point lubricant (between 80°C and 100°C)
Filtration :	40 μ
Temperature range :	-18°C to +50°C
Orifice :	7 mm
Flow (at 6 bar, $\Delta P=1$ bar) :	G 1/4" : 1300 Nl/min (C _v 1.3) - G 3/8" : 1350 Nl/min (C _v 1.35)
Leak rate :	100 cm ³ /min

Spare parts : • Remote air operated pilot : TM-RA14.

Options : • NPTF threads.

DIMENSIONS

